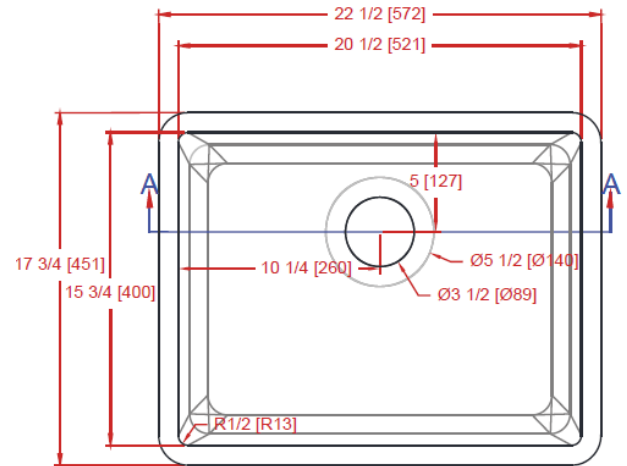


# BELLAVATI™ acrylic solid surface

## 2015-ES

### SINK SPECIFICATION SHEET



#### NO OVERFLOW MODEL

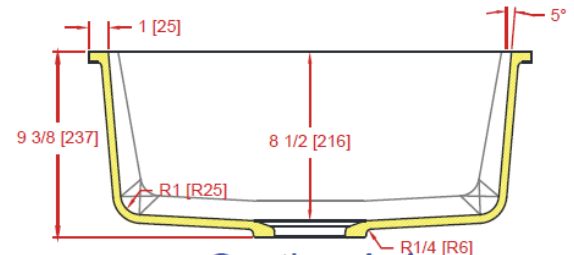
**INTERNAL DIMENSIONS: 20 1/2" X 15 3/4"** (521 mm x 400 mm)

**DEPTH: 8 1/2"** (216 mm)

*Depth does not include countertop thickness*

The Bellavati™ 2015-ES is the updated 2015-S model providing a more stylish contemporary look, with tighter radii in the corners and unrivaled performance. The 2015-ES Single Bowl Sink provides a seamless kitchen/utility or laboratory sink in any solid surface sheet material, acrylic, polyester or blended. This sink fits well in a 30" cabinet and is ideal for a space saving kitchen.

Bellavati™ Sinks are compatible and warranted when used with all major solid surface sheet brands (*acrylic and polyester*) with the same sheet warranties.



Section A-A



Section B-B



UL in the US and Canada: HUD UM Bulletin No. 73a & (B45.5/IAPMO Z124 Z124.6)



NAHB) : HUD UM Bulletin No. 73a & (B45.5/IAPMO Z124 Z124.6)



All Bellavati™ sinks use resin containing 15% post consumer recycled content and 5.5% rapidly renewable materials.



All Bellavati™ sinks are proudly made in the USA.

DOYLE  FARRIS

3030 North Rocky Point Drive West • #150 • Tampa • Florida • 33607 • 877-264-1499

sales@doylefarris.com • www.doylefarris.com