



NO OVERFLOW MODEL

INTERNAL DIMENSIONS: 18" X 12 3/4" (457 mm x 323 mm)

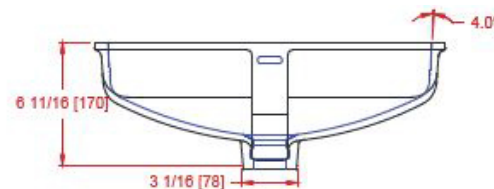
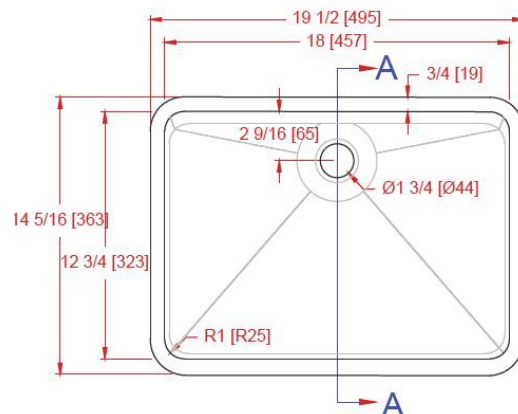
DEPTH: 5" (127 mm)

Depth does not include countertop thickness

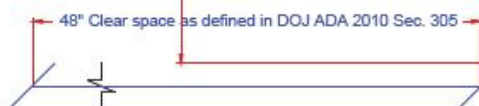
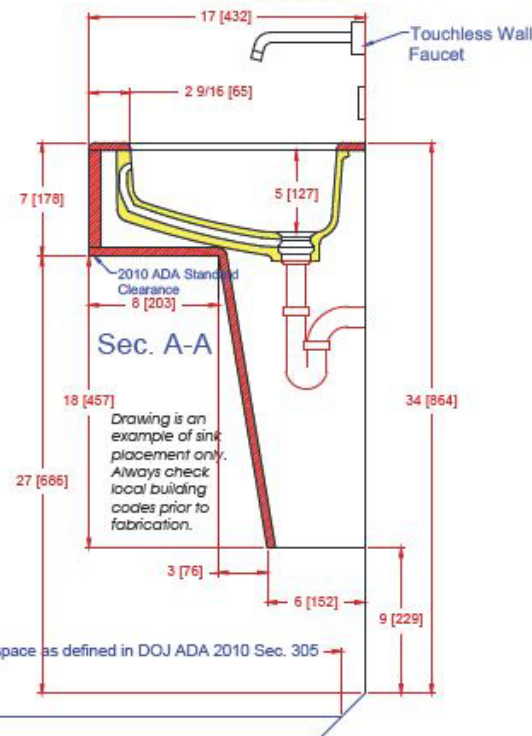
The Bellavati™ V1812 universal design lavatory bowl is part of Doyle Farris' commitment to design that is appealing to all. Design, function, performance are critical for today's architects, designers and homeowners.

The V1812 is ideal for all applications, residential, clinical, commercial, restaurants and laboratories. The depth of the bowl allows for ADA applications all the way to 17" depths, something most bowls can not do. The V1812 has no overflow tube which minimizes infection control in hospital applications.

Bellavati™ Sinks are compatible and warranted when used with all major solid surface sheet brands (*acrylic and polyester*) with the same sheet warranties.



Front View



UL in the US and Canada: HUD UM Bulletin No. 73a & (B45.5/IAPMO Z124 Z124.6)



ADA COMPLIANT



NAHB) : HUD UM Bulletin No. 73a & (B45.5/IAPMO Z124 Z124.6)



All Bellavati™ sinks use resin containing 15% post consumer recycled content and 5.5% rapidly renewable materials.



All Bellavati™ sinks are proudly made in the USA.

DOYLE FARRIS

3030 North Rocky Point Drive West • #150 • Tampa • Florida • 33607 • 877-264-1499

sales@doylefarris.com • www.doylefarris.com