



INTERNAL DIMENSIONS:

20 3/8" X 15 5/8" (517.525 mm x 396.875 mm)

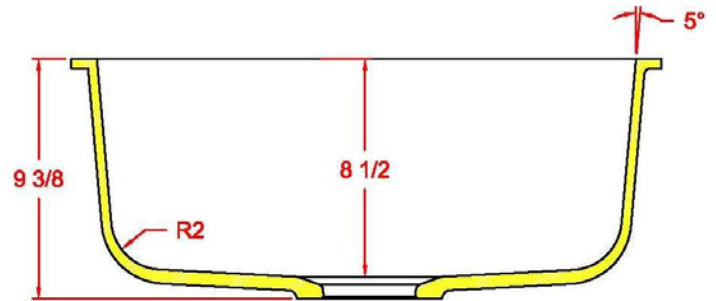
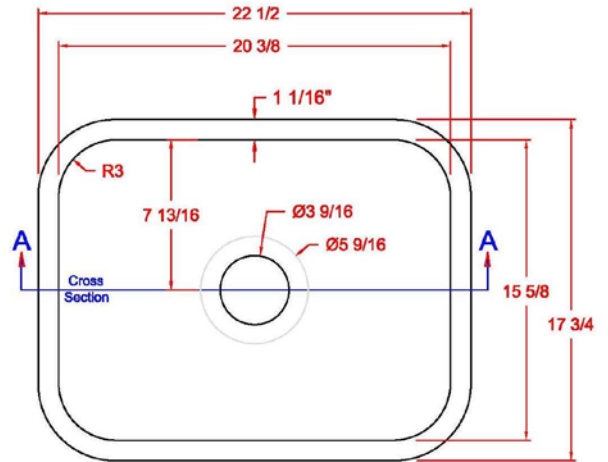
DEPTH:

8 1/2" (215.9 mm)

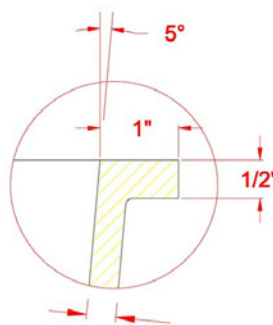
Depth does not include countertop thickness

The Bellavati™ K2318 Single Bowl Sink provides a seamless kitchen/utility or laboratory sink in any solid surface sheet material, acrylic, polyester or blended. This sink fits well in a 30" cabinet and is ideal for a space saving kitchen.

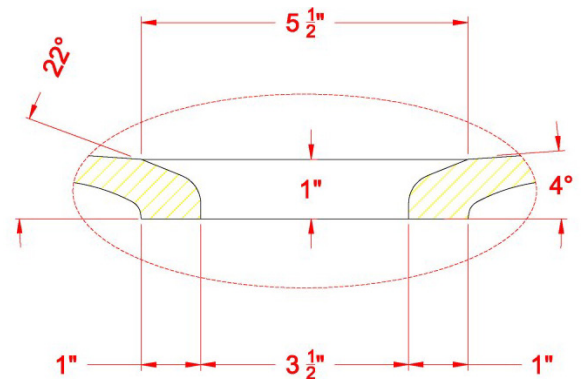
Bellavati™ Sinks are compatible and warranted when used with all major solid surface sheet brands with the same sheet warranties.



Section A-A



Flange Detail



Drain Detail



UL in the US and Canada:
(ANSI Z124.6 & B45.0-99)



NAHB) : HB (ANSI Z124.6)



All Bellavati™ sinks use resin containing 15% post consumer recycled content and 5.5% rapidly renewable materials.



All Bellavati™ sinks are proudly made in the USA.

DOYLE FARRIS

3030 North Rocky Point Drive West • #150 • Tampa • Florida • 33607 • 877-264-1499

sales@doylefarris.com • www.doylefarris.com